

Product data sheet

Characteristics

TM3DI32K

Discrete input module, Modicon TM3, 32 inputs
(HE10) 24 VDC



Product availability: Non-Stock - Not normally stocked in distribution facility

Price*: 199.00 USD



Main

Range of product	Modicon TM3
Product or Component Type	Discrete input module
Range Compatibility	Modicon M241 Modicon M251 Modicon M221 Modicon M262
Discrete input voltage	24 V

Complementary

Discrete I/O number	32
Discrete input voltage type	DC
Marking	CE
Height	3.54 In (90 mm)
Depth	3.20 In (81.3 mm)
Width	1.32 In (33.5 mm)
Product Weight	0.22 Lb(US) (0.1 kg)

Environment

Standards	EN/IEC 61010-2-201 EN/IEC 61131-2
Product Certifications	CULus C-tick
Ambient Air Temperature for Storage	-13...158 °F (-25...70 °C)
Pollution degree	2
Operating altitude	0...6561.68 ft (0...2000 m)
Storage altitude	0.00...9842.52 Ft (0...3000 m)

Ordering and shipping details

Category	22533 - M2XX PLC & ACCESSORIES
Discount Schedule	MSX
GTIN	3606480611414
Nbr. of units in pkg.	1
Package weight(Lbs)	7.76 Oz (220 g)
Returnability	Yes
Country of origin	TW

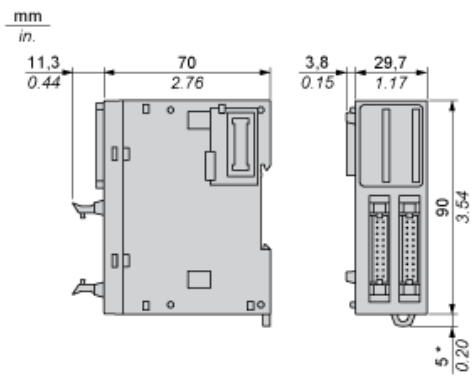
Packing Units

Unit Type of Package 1	PCE
Package 1 Height	3.01 In (7.639 cm)
Package 1 width	4.15 In (10.55 cm)
Package 1 Length	5.07 In (12.87 cm)

Offer Sustainability

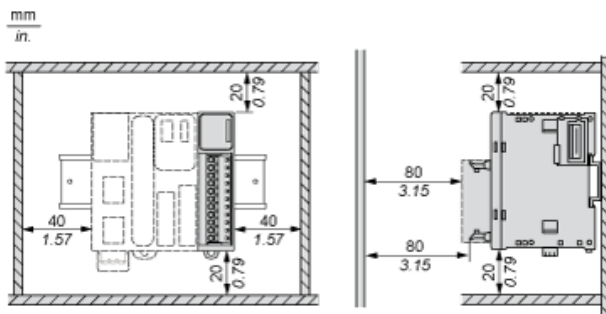
Sustainable offer status	Green Premium product
California proposition 65	WARNING: This product can expose you to chemicals including: Lead and lead compounds, which is known to the State of California to cause cancer and birth defects or other reproductive harm. For more information go to www.P65Warnings.ca.gov
REACH Regulation	REACH Declaration
REACH free of SVHC	Yes
EU RoHS Directive	Pro-active compliance (Product out of EU RoHS legal scope) EU RoHS Declaration
Toxic heavy metal free	Yes
Mercury free	Yes
RoHS exemption information	Yes
China RoHS Regulation	China RoHS Declaration
Environmental Disclosure	Product Environmental Profile
Circularity Profile	End Of Life Information
WEEE	The product must be disposed on European Union markets following specific waste collection and never end up in rubbish bins.
PVC free	Yes

Dimensions

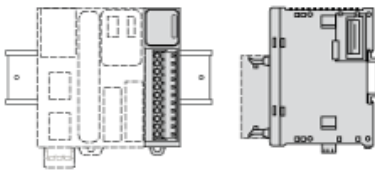


(*) 8.5 mm/0.33 in. when the clamp is pulled out.

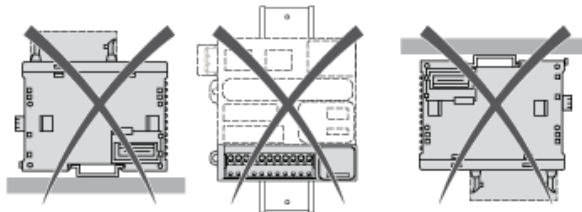
Spacing Requirements



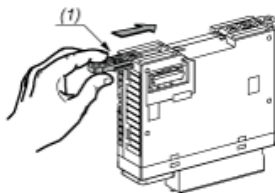
Mounting on a Rail



Incorrect Mounting

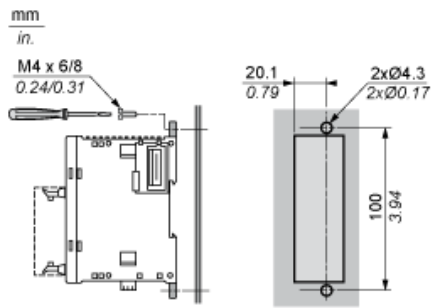


Mounting on a Panel Surface



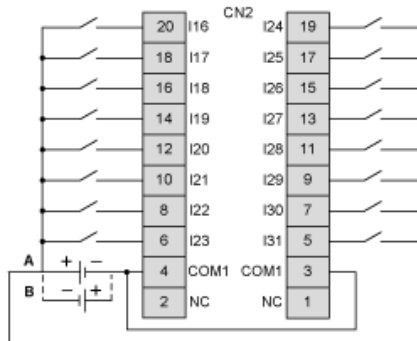
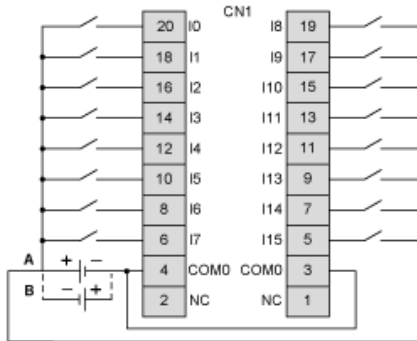
(1) Install a mounting strip

Mounting Hole Layout



Digital Input Module (32-channel, 24 Vdc)

Wiring Diagram



The COM0 and COM1 terminals are not connected internally

- (A) Sink wiring (positive logic)
- (B) Source wiring (negative logic)

Product Life Status : **Commercialised**